

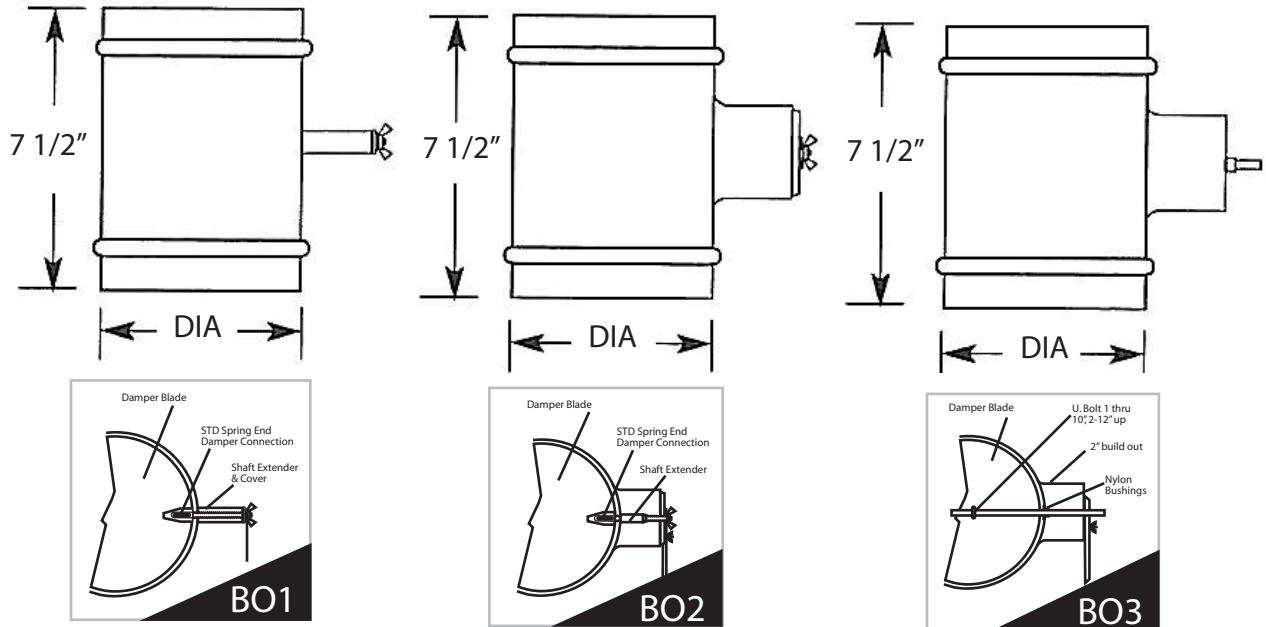


5235 Ted Street, Houston, Texas 77040,  
713 / 462-7694, Fax 713 / 939-8441

**SL, SLD, SLDBO**

### CONNECTING SLEEVES

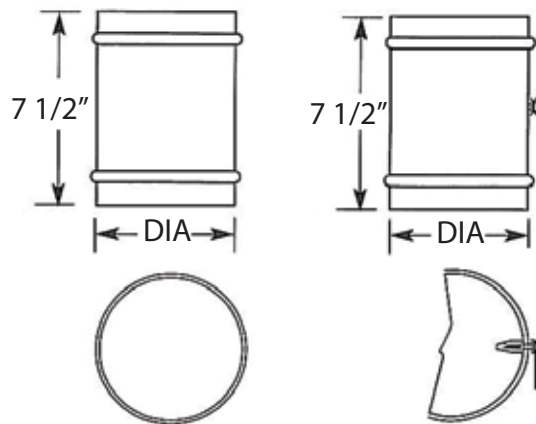
26 GAUGE G-90 GALVANIZED DIMENSIONS 1/8" TOLERANCE



**BO1** BUILD OUT, 2", SHAFT EXTENDER, COVER AND HANDLE

**BO2** BUILD OUT, 2", SHAFT EXTENDER, AND LOCKING QUADRANT, HANDLE

**BO3** BUILD OUT, 2", 3/8" SQUARE SHAFT, U. BOLT, NYLON BUSHINGS LOCKING QUADRANT, HANDLE



ORDER SIZE	DIAMETER	LENGTH W/WO DAMPER
4" - 20"	Listed Size Less 1/8"	7 1/2"

#### STANDARD CONSTRUCTION

- 26 Gauge, G-90 Galvanized
- 26 Gauge Damper Blade

#### OPTIONAL CONSTRUCTION

- Heavier Gauge 24 ga., 22 ga., 20 ga.
- BO 1, BO2, or BO3 Damper Options
- Aluminum
- Stainless Steel