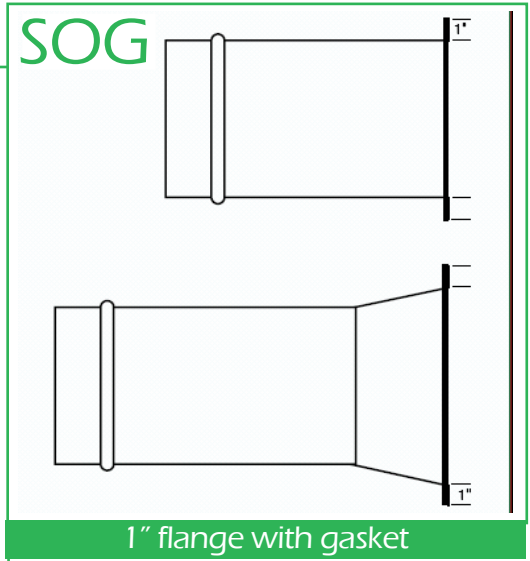
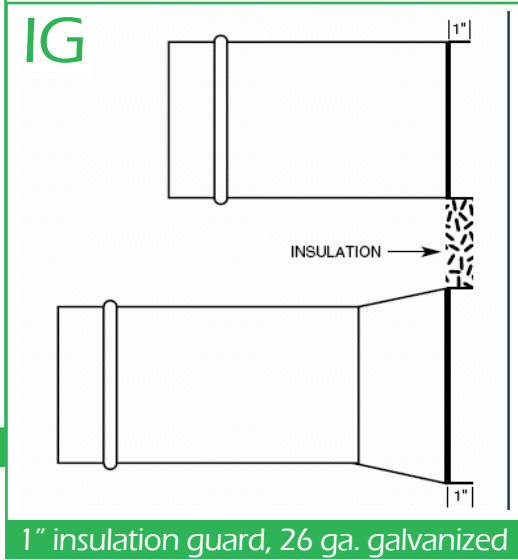
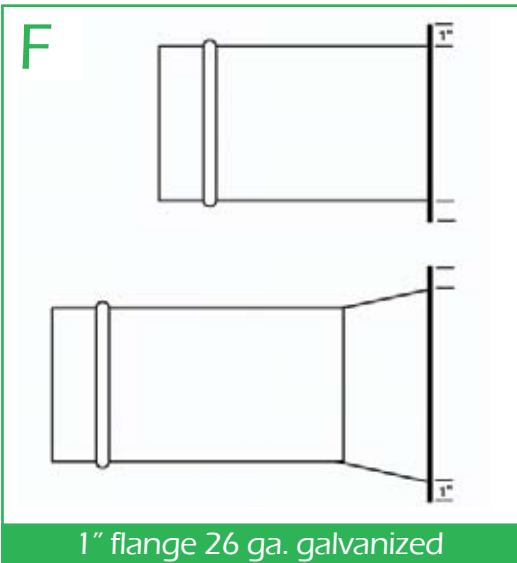
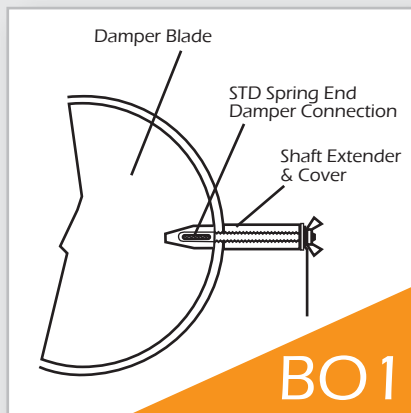


## FL & CB Options

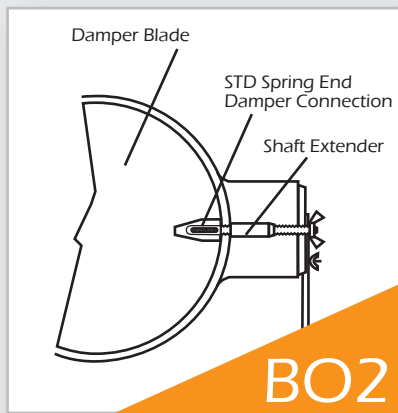


Standard 26 gauge  
 Available in 24, 22 or 20 gauge  
 Available in stainless steel and aluminum construction

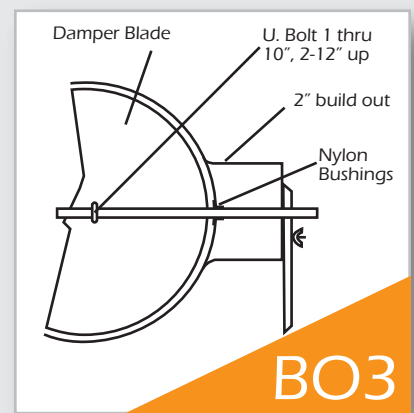
## Damper Options For All Fittings



2" Build Out



2" Build Out  
 Locking Quadrant



2" Build Out  
 3/8" Square Steel Shaft  
 Locking Quadrant  
 Nylon Bushings