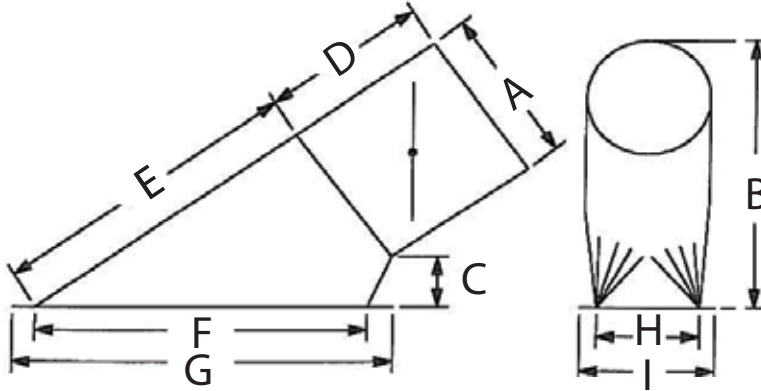




SIDE TAKEOFF FITTINGS

26 GAUGE G-90 GALVANIZED DIMENSIONS 1/8" TOLERANCE

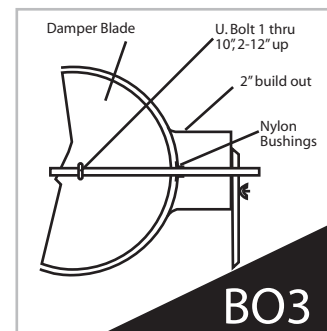
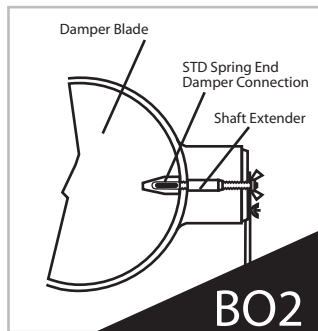
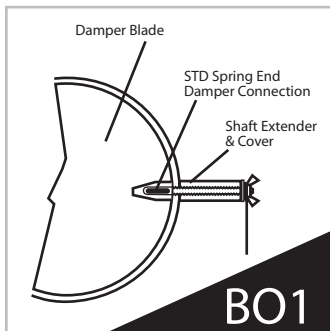


SIZE	A	B	C	D	E	F	G	H	I
5"	4 7/8"	12	2	7 1/2	9	9	11	5	7
6"	5 7/8"	12	2	7 1/2	9	9	11	5	7
7"	6 7/8"	12	2	7 1/2	10	11	13	5	7
8"	7 7/8"	13	2	7 1/2	10	12	14	6	8
9"	8 7/8"	13	2	7 1/2	11	13	15	7	9
10"	9 7/8"	14	2	7 1/2	12	14	16	8	10
12"	11 7/8"	15	2	7 1/2	13	16	18	10	12
14"	13 7/8"	16	2	7 1/2	15	18	20	12	14
16"	15 7/8"	17	2	7 1/2	16	20	22	14	16

Dim. 1/8" Tolerance

FEATURES

- 26 Gauge, G-90 Galvanized Steel - 4" W.G. Construction
- 1" Wide Mounting Flange w/Die Formed Corner Clips
- Prepunched Mounting Holes
- Adhesive Coated Gasket for Minimal Leakage
- Optional Damper Available



BO1 BUILD OUT, 2", SHAFT EXTENDER, COVER AND HANDLE

BO2 BUILD OUT, 2", SHAFT EXTENDER, AND LOCKING QUADRANT, HANDLE

BO3 BUILD OUT, 2", 3/8" SQUARE SHAFT, U. BOLT, NYLON BUSHINGS
LOCKING QUADRANT, HANDLE