



5235 Ted Street, Houston, Texas 77040,
713 / 462-7694, Fax 713 / 939-8441

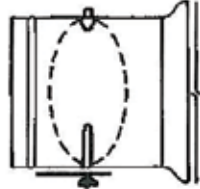
SPIN COLLAR FITTINGS FL/FLD/FLE/FLDE

SPIN COLLAR FITTINGS FOR SHEETMETAL

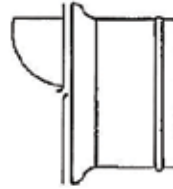
26 GAUGE G-90 GALVANIZED DIMENSIONS 1/8" TOLERANCE



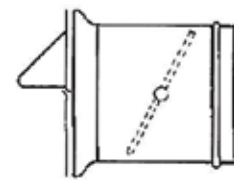
Plain FL



With Damper FLD



With Scoop FLE *



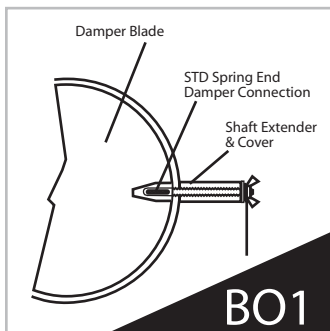
With Damper and Scoop FLDE*

SPECIFY 90° OR 45° SCOOP

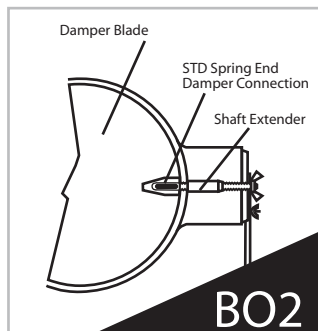
ORDER SIZE	DIAMETER	LENGTH NO DAMPER	LENGTH W/DAMPER	EXTRACTOR ADDS	
				90°	45°
4"	3 7/8"	3"	7"	2"	2"
5"	4 7/8"	3"	7"	2 1/2"	2"
6"	5 7/8"	3"	7"	3"	2 1/2"
7"	6 7/8"	3"	7"	3 1/2"	3"
8"	7 7/8"	3"	7"	4"	3 1/2"
9"	8 7/8"	3"	7"	4 1/2"	4"
10"	9 7/8"	3"	7"	5"	4 1/2"
12"	11 7/8"	3"	7"	6"	5"
14"	13 7/8"	3"	7"	7"	6"
15"	14 7/8"	3"	7"	7"	6"
16"	15 7/8"	3"	7"	8"	7"
18"	17 7/8"	3"	7"	9"	8"
20"	19 7/8"	3"	7"	10"	9"

OPTIONAL FEATURES

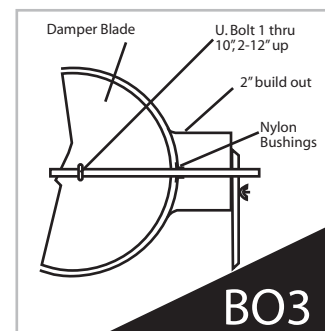
- Heaver Gauge Construction — 24 ga., 22 ga., 20 ga.
- Aluminum, Stainless Steel or Paint Grip Construction
- Flange, Flange and Gasket, Insulation Guard



BO1



BO2



BO3

BO1 BUILD OUT, 2", SHAFT EXTENDER, COVER AND HANDLE

BO2 BUILD OUT, 2", SHAFT EXTENDER, AND LOCKING QUADRANT, HANDLE

BO3 BUILD OUT, 2", 3/8" SQUARE SHAFT, U. BOLT, NYLON BUSHINGS
LOCKING QUADRANT, HANDLE