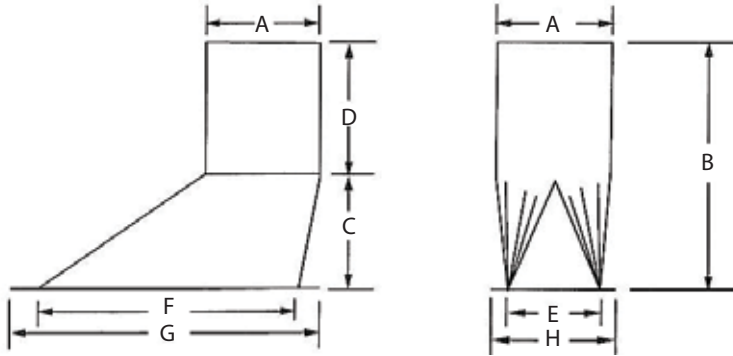




## SIDE TAKEOFF FITTINGS

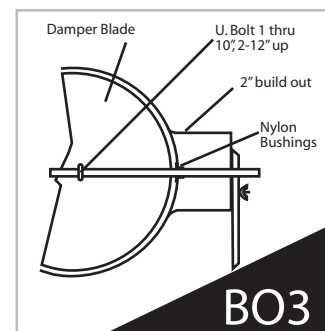
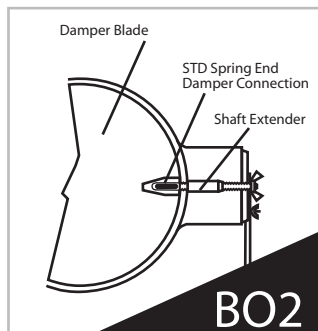
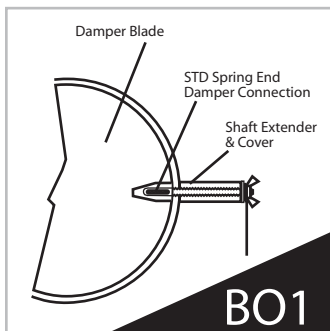
26 GAUGE G-90 GALVANIZED DIMENSIONS 1/8" TOLERANCE



SIZE	A	B	C	D	E	F	G	H
5"	4 7/8"	13"	5 1/2	7 1/2	5	9	11	7
6"	5 7/8"	13"	5 1/2	7 1/2	5	9	11	7
7"	6 7/8"	13"	5 1/2	7 1/2	5	11	13	7
8"	7 7/8"	13"	5 1/2	7 1/2	6	12	14	8
9"	8 7/8"	13"	5 1/2	7 1/2	7	13	15	9
10"	9 7/8"	13"	5 1/2	7 1/2	8	14	16	10
12"	11 7/8"	13"	5 1/2	7 1/2	10	16	18	12
14"	13 7/8"	13"	5 1/2	7 1/2	12	18	20	14
15"	14 7/8"	13"	5 1/2	7 1/2	13	19	21	15
16"	15 7/8"	13"	5 1/2	7 1/2	14	20	22	16
18"	17 7/8"	13"	5 1/2	7 1/2	16	22	24	18
20"	19 7/8"	13"	5 1/2	7 1/2	18	24	26	20

## FEATURES

- 26 Gauge, G-90 Galvanized Steel - 4" W.G. Construction
- 1" Wide Mounting Flange w/Die Formed Corner Clips
- Prepunched Mounting Holes
- Adhesive Coated Gasket for Minimal Leakage
- Optional Damper Available



- BO1** BUILD OUT, 2", SHAFT EXTENDER, COVER AND HANDLE
- BO2** BUILD OUT, 2", SHAFT EXTENDER, AND LOCKING QUADRANT, HANDLE
- BO3** BUILD OUT, 2", 3/8" SQUARE SHAFT, U. BOLT, NYLON BUSHINGS  
LOCKING QUADRANT, HANDLE