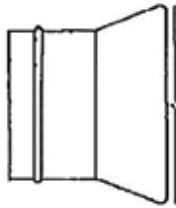


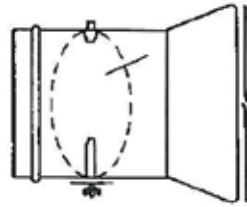


CONICAL BELLMOUTH FITTINGS FOR SHEETMETAL

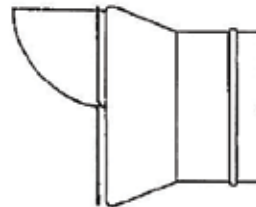
26 GAUGE G-90 GALVANIZED DIMENSIONS 1/8" TOLERANCE



PLAN CB

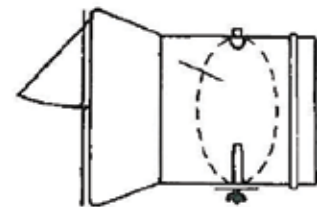


WITH DAMPER CB-D



WITH SCOOP CB-E*

*SPECIFY 90° OR 45° SCOOP

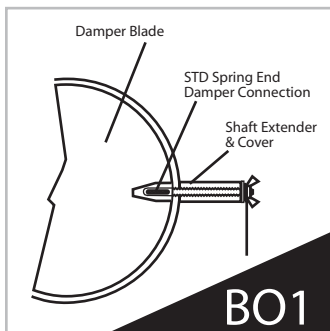


WITH DAMPER AND SCOOP CB-DE*

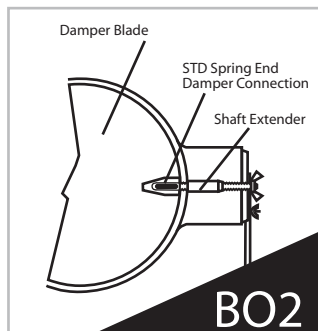
ORDER SIZE	DIAMETER	CONE DIAMETER	LENGTH NO DAMPER (without extractor scoop)	LENGTH W/DAMPER (without extractor scoop)	EXTRACTOR ADDS	
					90°	45°
4"	3 7/8"	5 7/8"	6"	10"	2"	2"
5"	4 7/8"	6 7/8"	6"	10"	2 1/2"	2"
6"	5 7/8"	7 7/8"	6"	10"	3"	2 1/2"
7"	6 7/8"	8 7/8"	6"	10"	3 1/2"	3"
8"	7 7/8"	9 7/8"	6"	10"	4"	3 1/2"
9"	8 7/8"	10 7/8"	6"	10"	4 1/2"	4"
10"	9 7/8"	11 7/8"	6"	10"	5"	4 1/2"
12"	11 7/8"	13 7/8"	6"	10"	6"	5"
14"	13 7/8"	15 7/8"	6"	10"	7"	6"
15"	14 7/8"	16 7/8"	6"	10"	7"	6"
16"	15 7/8"	17 7/8"	6"	10"	8"	7"
18"	17 7/8"	19 7/8"	6"	10"	9"	8"
20"	19 7/8"	21 7/8"	6"	10"	10"	9"

OPTIONAL FEATURES

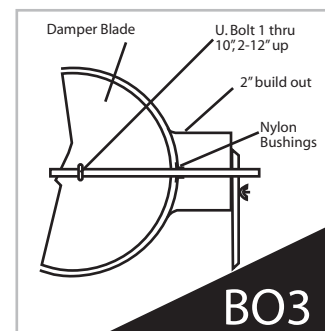
- Heaver Gauge Construction — 24 ga., 22 ga., 20 ga.
- Aluminum, Stainless Steel or Paint Grip Construction
- Flange, Flange and Gasket, Insulation Guard



BO1



BO2



BO3

BO1 BUILD OUT, 2", SHAFT EXTENDER, COVER AND HANDLE

BO2 BUILD OUT, 2", SHAFT EXTENDER, AND LOCKING QUADRANT, HANDLE

BO3 BUILD OUT, 2", 3/8" SQUARE SHAFT, U. BOLT, NYLON BUSHINGS
LOCKING QUADRANT, HANDLE