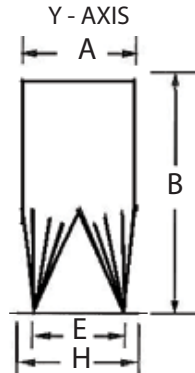
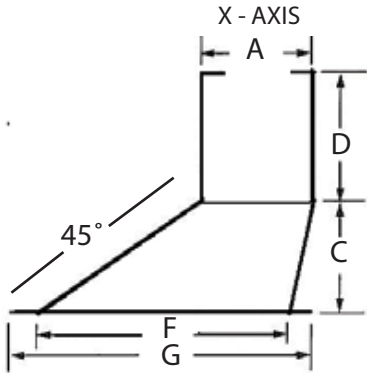




## SIDE TAKEOFF FITTINGS

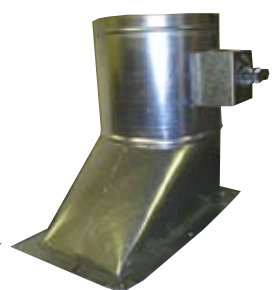
24 GAUGE G-90 GALVANIZED DIMENSIONS 1/8" TOLERANCE



Y Axis Left



Standard X Axis



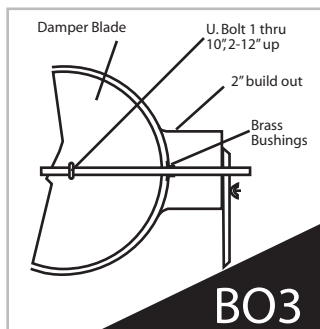
Y Axis Right

| SIZE | A       | B   | C     | D     | E  | F  | G  | H  |
|------|---------|-----|-------|-------|----|----|----|----|
| 5"   | 4 7/8"  | 13" | 5 1/2 | 7 1/2 | 5  | 9  | 11 | 7  |
| 6"   | 5 7/8"  | 13" | 5 1/2 | 7 1/2 | 5  | 9  | 11 | 7  |
| 7"   | 6 7/8"  | 13" | 5 1/2 | 7 1/2 | 5  | 11 | 13 | 7  |
| 8"   | 7 7/8"  | 13" | 5 1/2 | 7 1/2 | 6  | 12 | 14 | 8  |
| 9"   | 8 7/8"  | 13" | 5 1/2 | 7 1/2 | 7  | 13 | 15 | 9  |
| 10"  | 9 7/8"  | 13" | 5 1/2 | 7 1/2 | 8  | 14 | 16 | 10 |
| 12"  | 11 7/8" | 13" | 5 1/2 | 7 1/2 | 10 | 16 | 18 | 12 |
| 14"  | 13 7/8" | 13" | 5 1/2 | 7 1/2 | 12 | 18 | 20 | 14 |
| 15"  | 14 7/8" | 13" | 5 1/2 | 7 1/2 | 13 | 19 | 21 | 15 |
| 16"  | 15 7/8" | 13" | 5 1/2 | 7 1/2 | 14 | 20 | 22 | 16 |
| 18"  | 17 7/8" | 13" | 5 1/2 | 7 1/2 | 16 | 22 | 24 | 18 |
| 20"  | 19 7/8" | 13" | 5 1/2 | 7 1/2 | 18 | 24 | 26 | 20 |

## FEATURES

Available Order Size 5" to 20"  
 22 Gauge G-90 Galvanized Steel Damper  
 24 Gauge G-90 Galvanized Steel Body  
 1/8" Tolerance  
 4" W.G. Construction

1" Flange with Corner Clips  
 Prepunched Mounting Holes  
 Adhesive Coated Gasket for Minimal Leakage  
 Optional Damper Blade X or Y (X axis standard)  
 Brass Bushings



**BO3** BUILD OUT, 2", 3/8" SQUARE SHAFT, U. BOLT, BRASS BUSHINGS  
 LOCKING QUADRANT, HANDLE

Shaft no Locking Quadrant,  
 for regulator

Y Axis Shown

